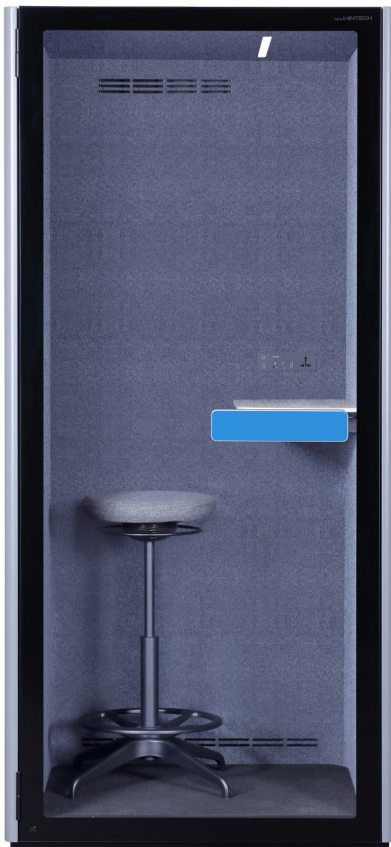


Office Pod Series

SERIES 2

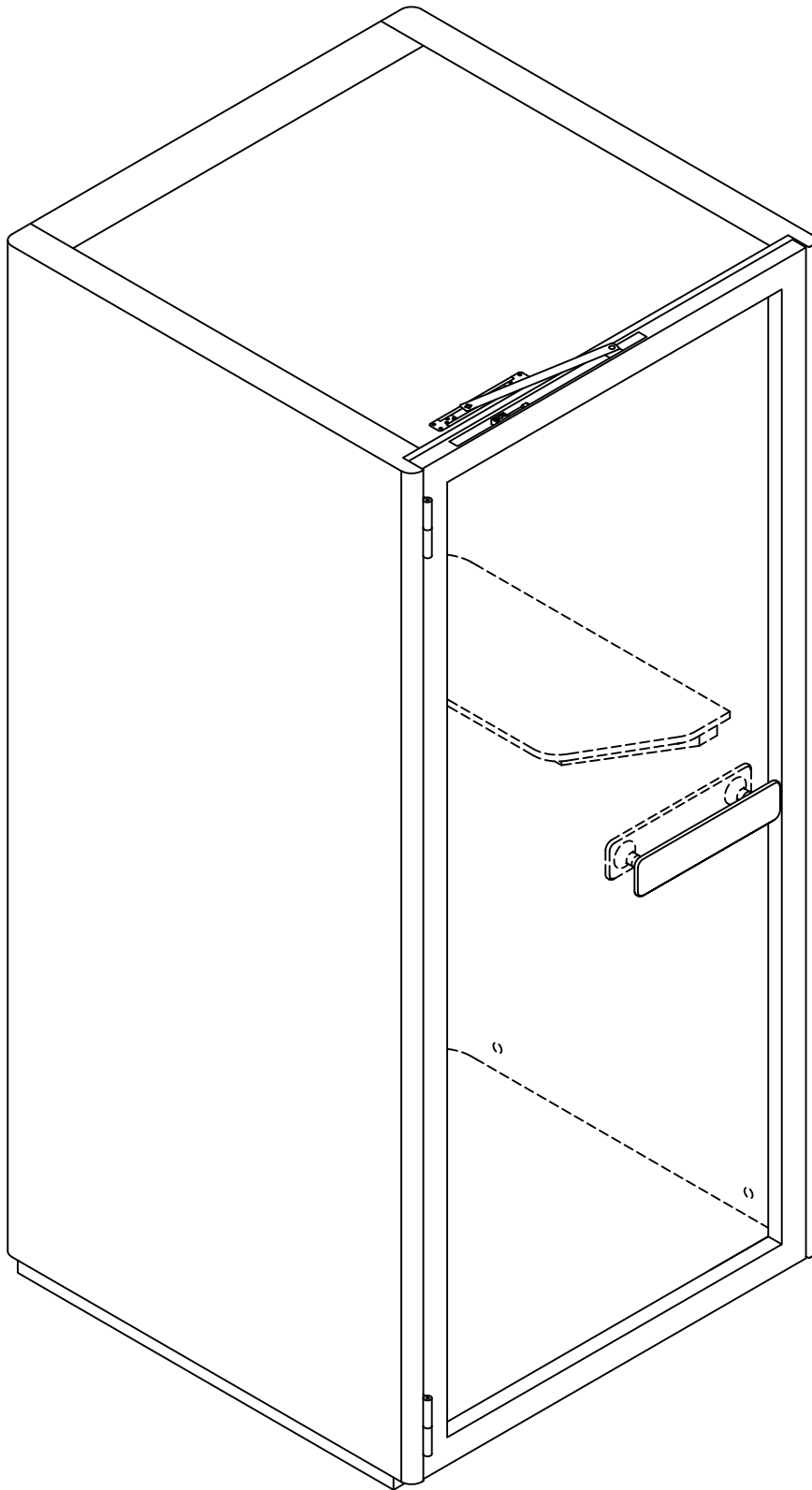
ASSEMBLY DIAGRAM



SERIES 2—S-POD
SINGLE PERSON POD

INSTALLATION MANUAL

S POD



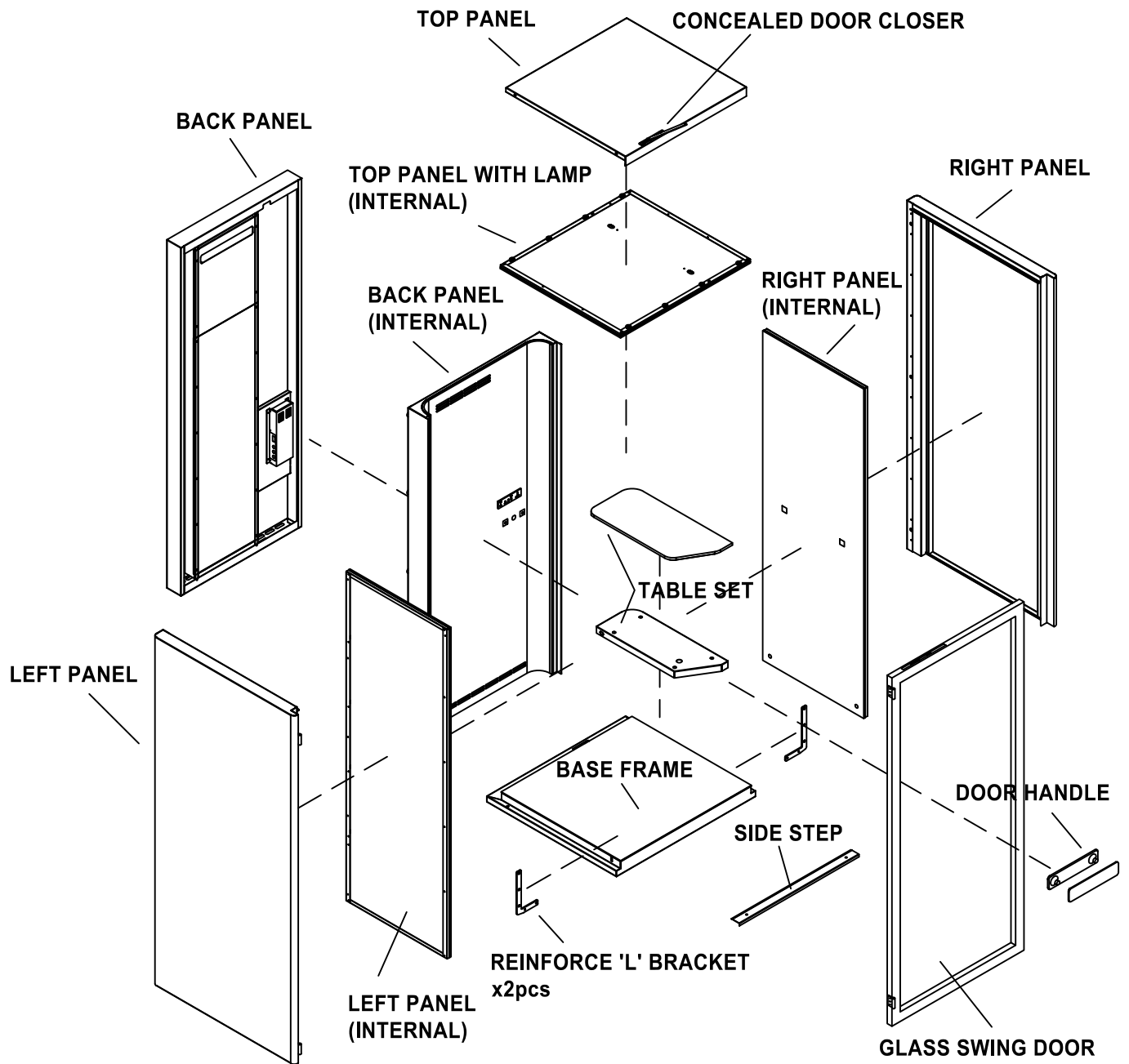
ATTENTION

Please read installation manual carefully before assemble.

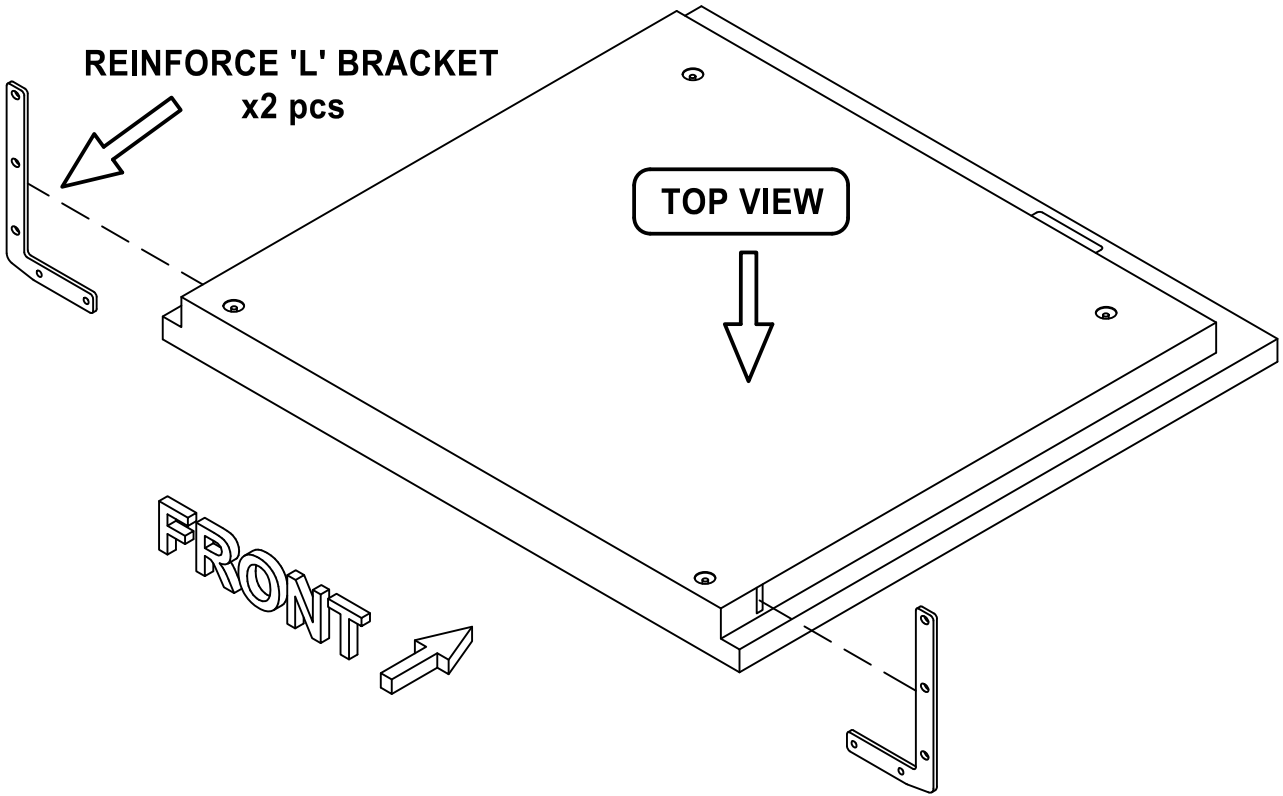
First remove the accesory box. Carton number (1)

Follow the carton number when unboxing.

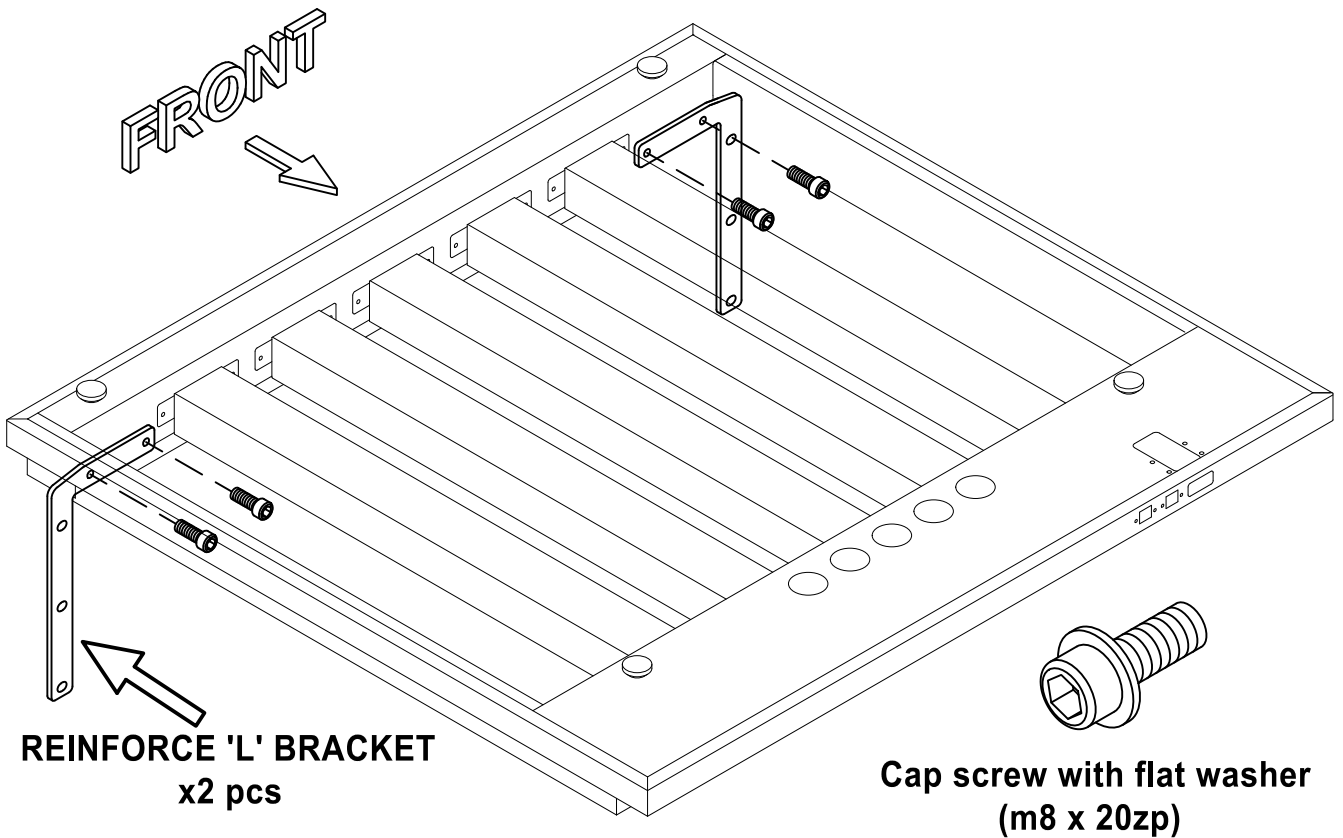
Complete assemble each according to the carton number and proceed to the next.



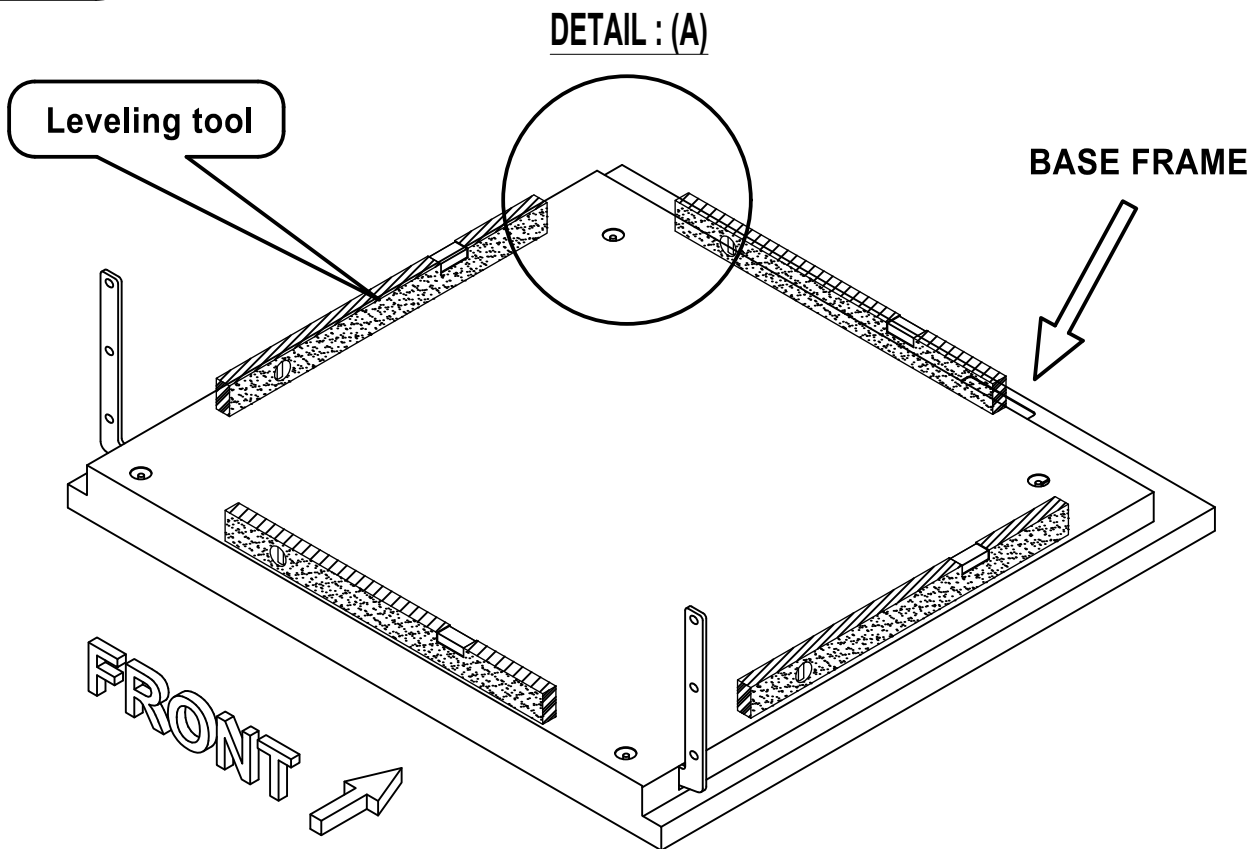
1



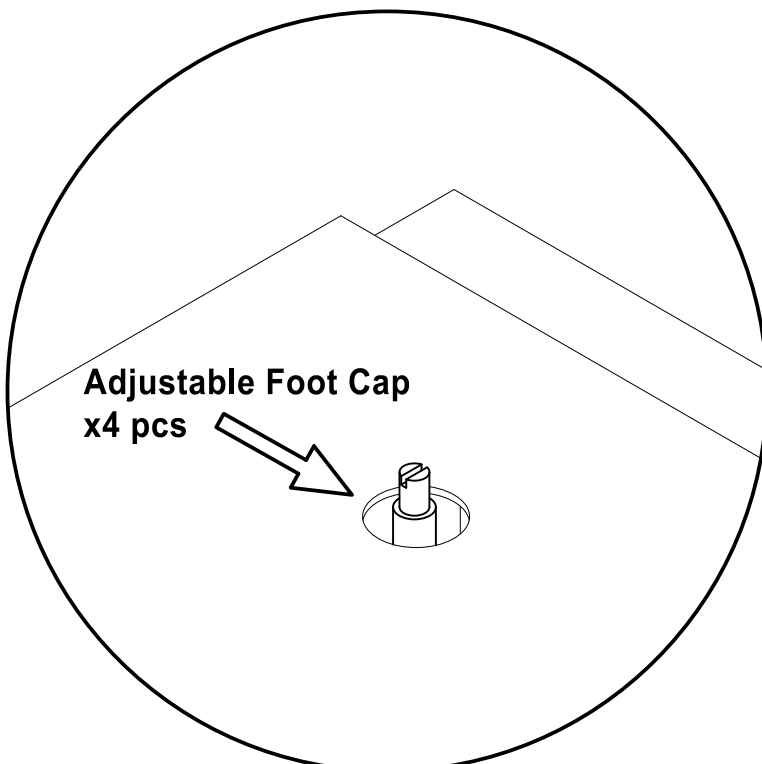
BOTTOM VIEW



2



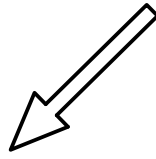
- Step 1 = Push to final position before setting up the booth
- Step 2 = Adjustable foot cap for leveling
- Step 3 = Level the base before installation



DETAIL : (A)

3

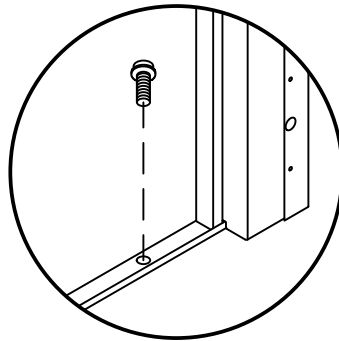
LEFT PANEL



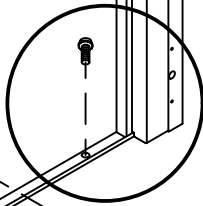
RIGHT PANEL



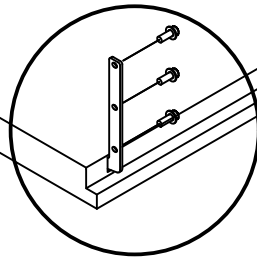
DETAIL : (B)



DETAIL : (B)

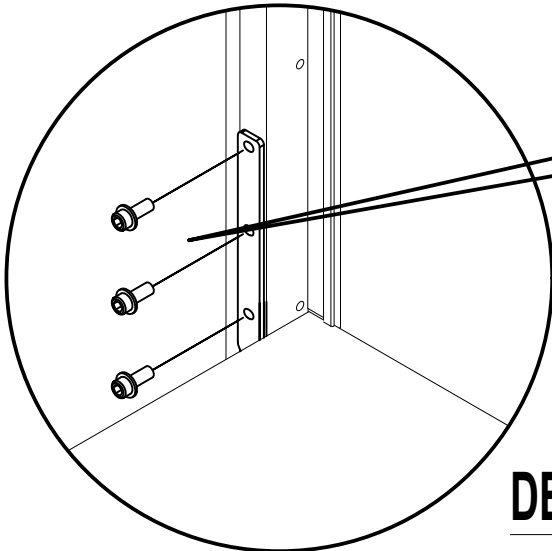


DETAIL : (C)

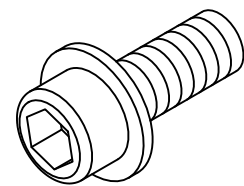


FRONT

 Do not tighten



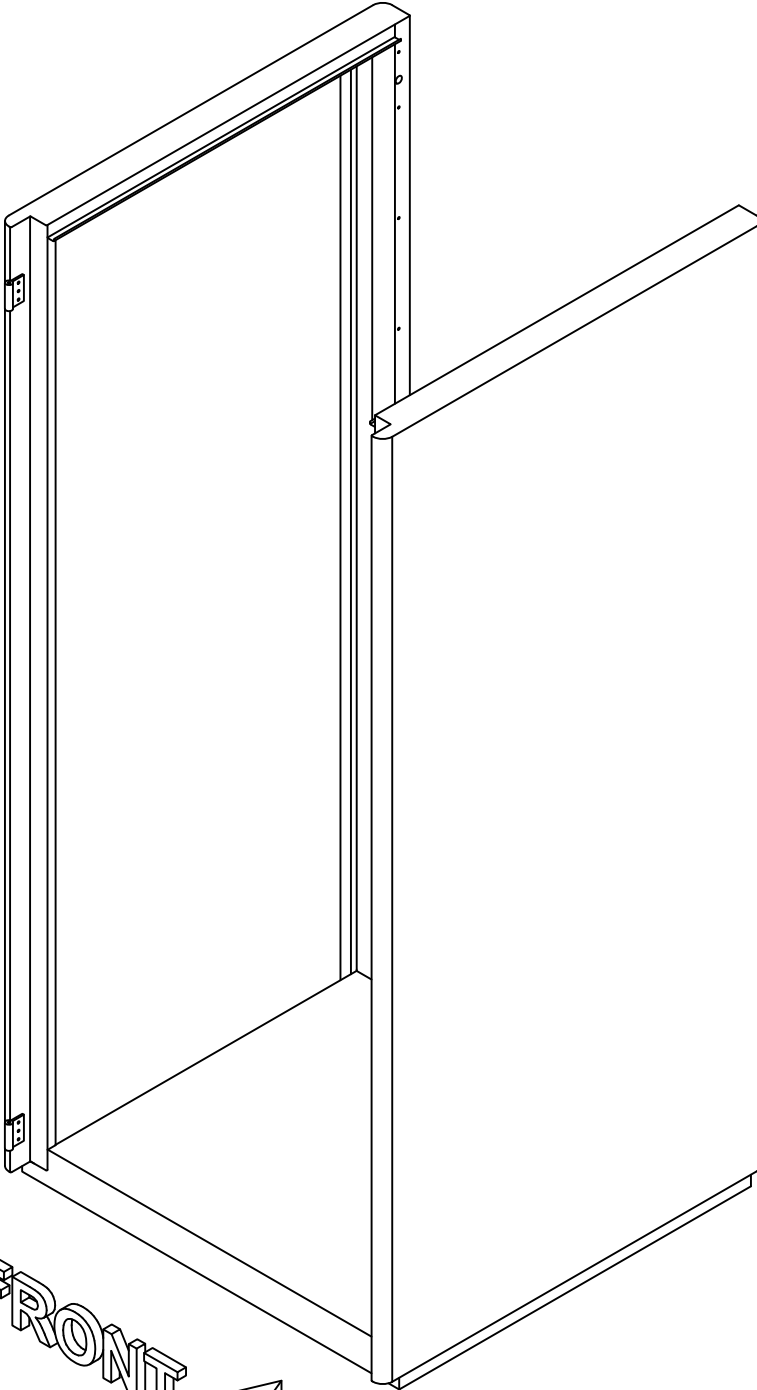
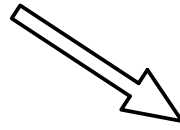
DETAIL : (C)



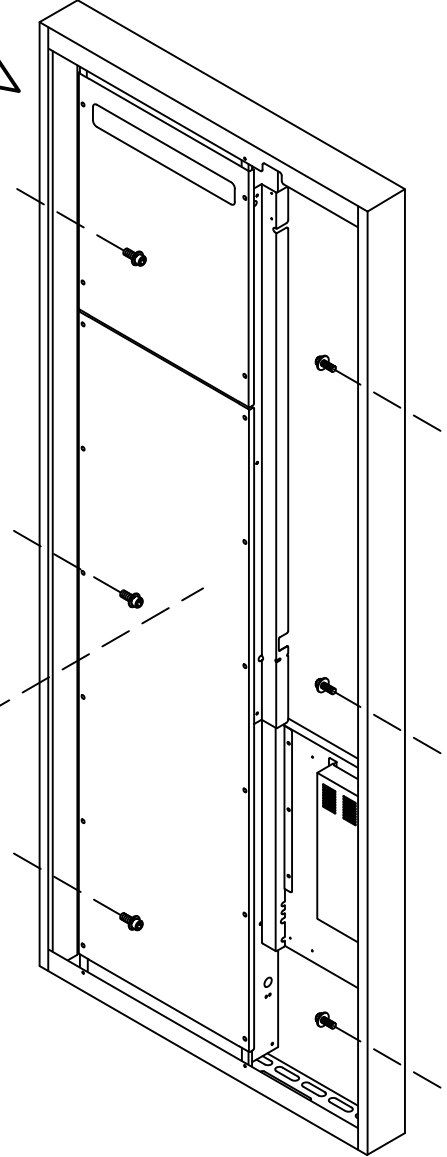
Cap screw with flat washer
(m8 x 20zp)

4

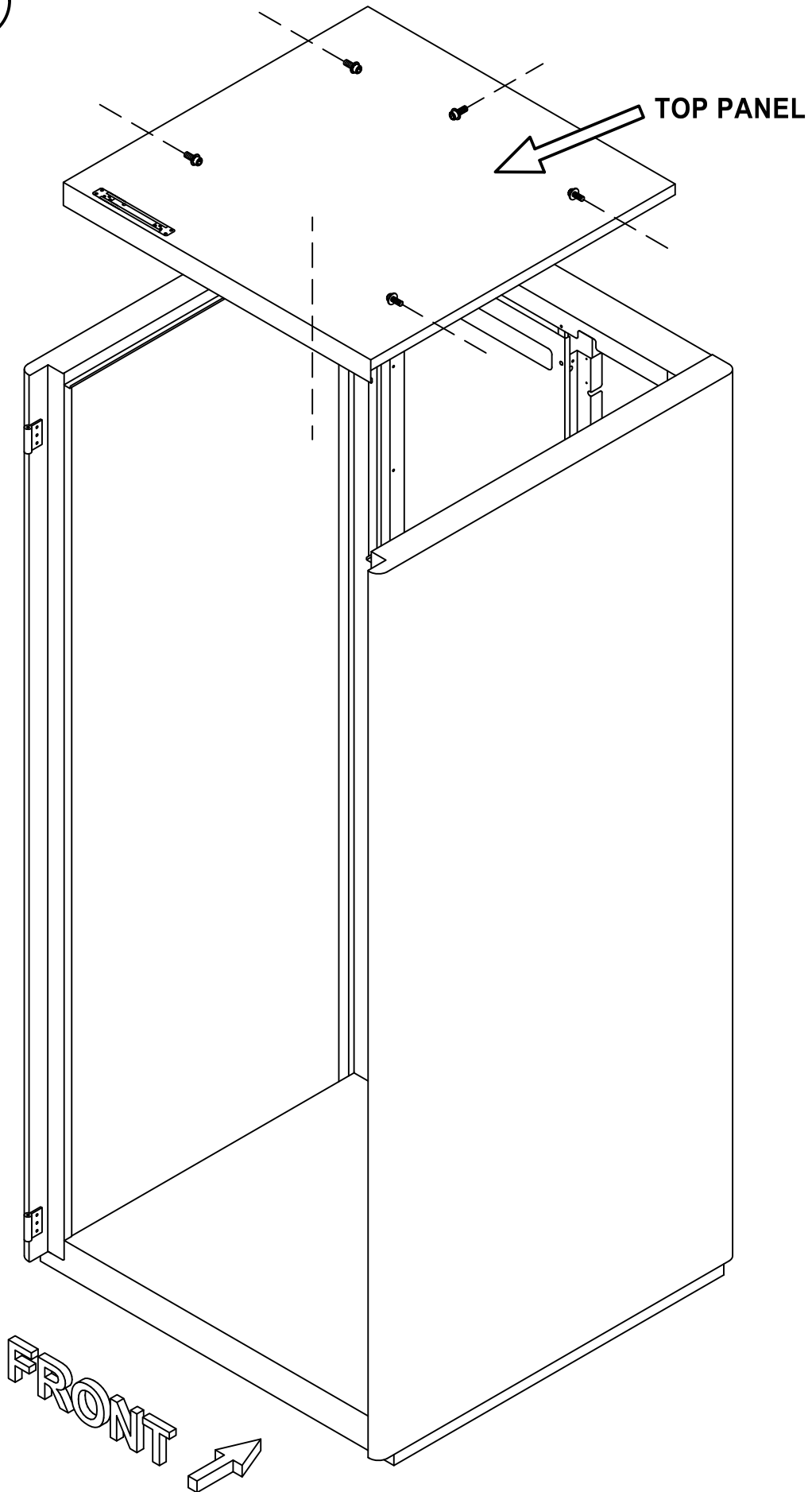
BACK PANEL



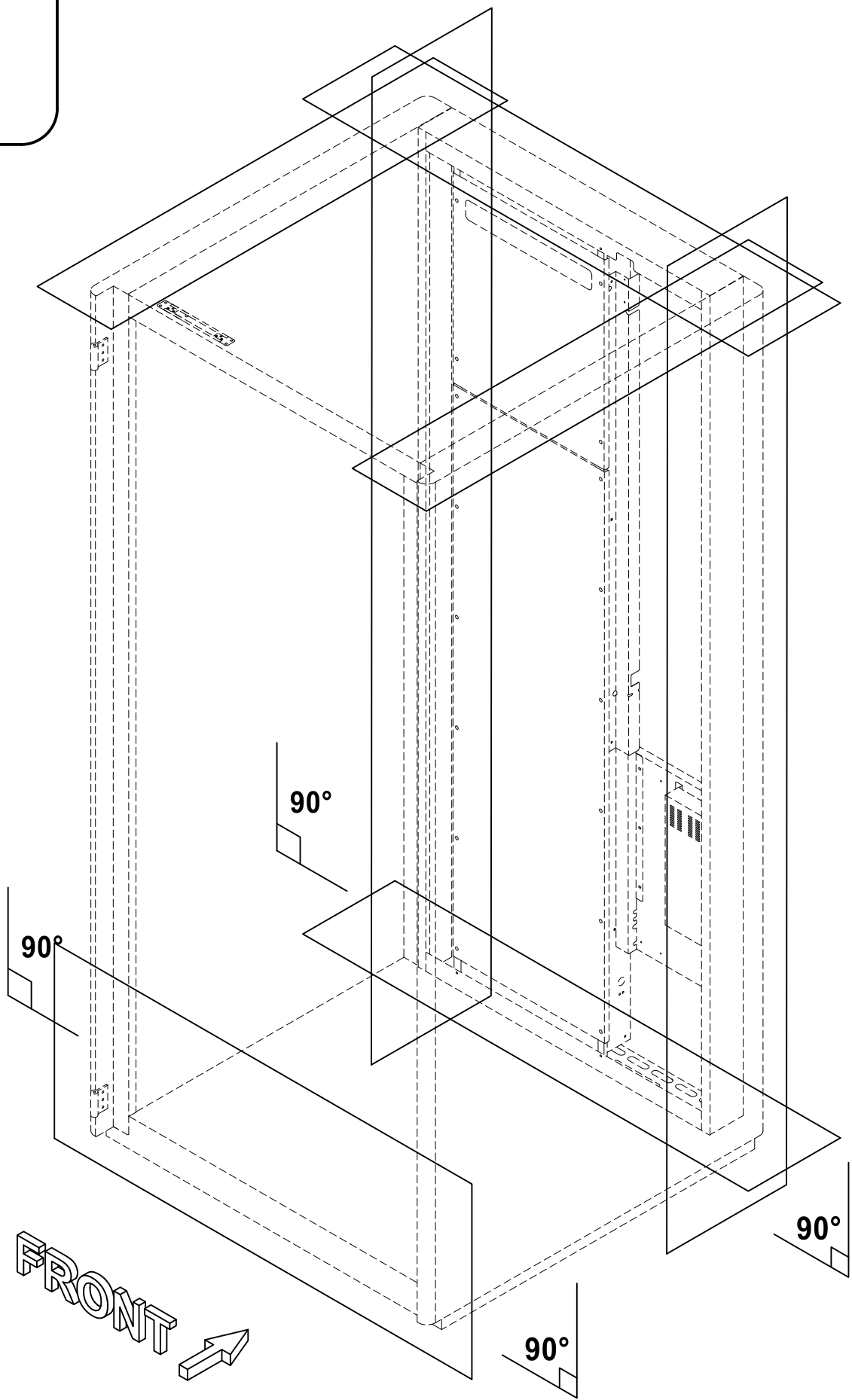
FRONT



5



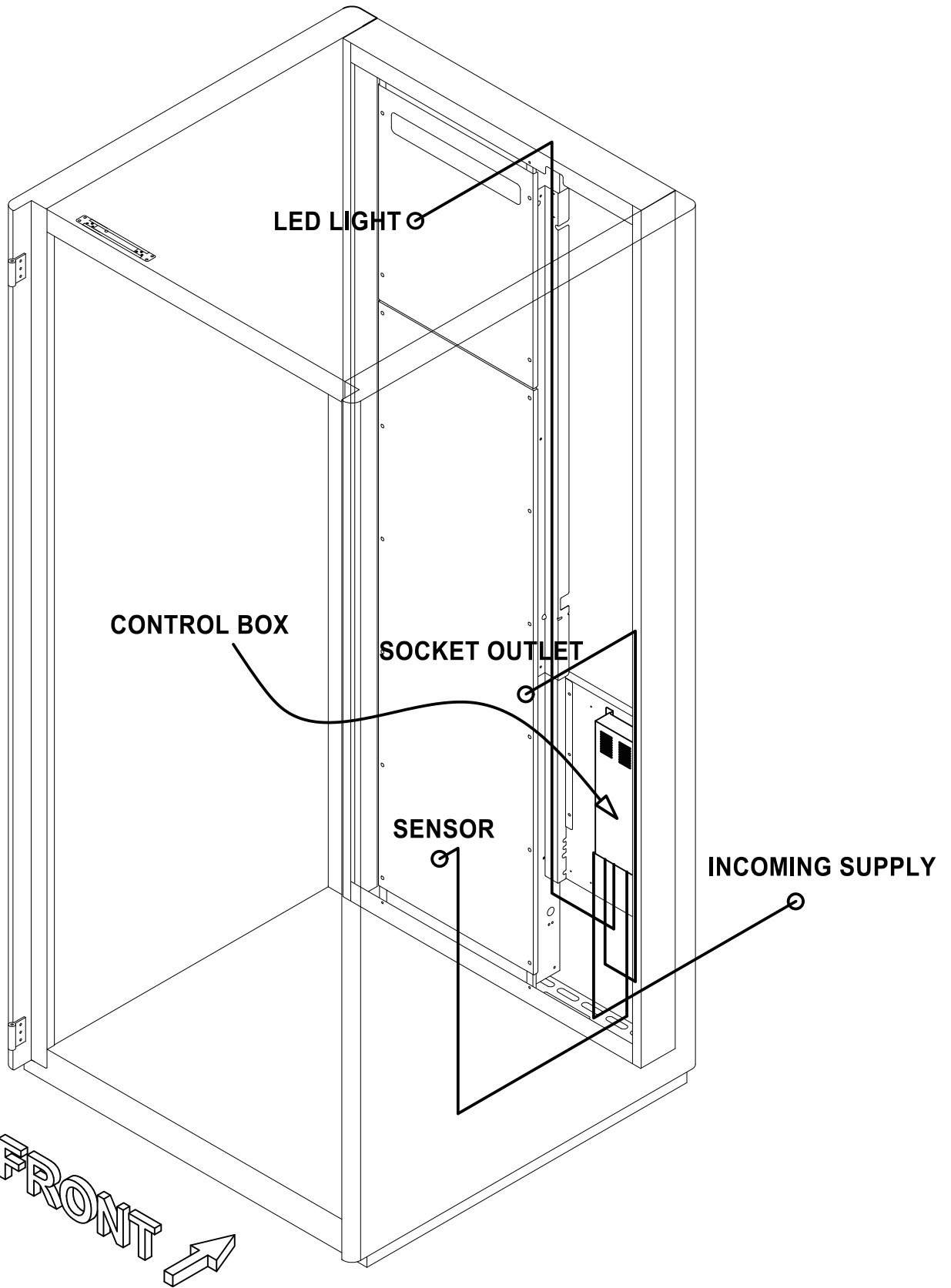
6



STEP 1 □ Check Leveling

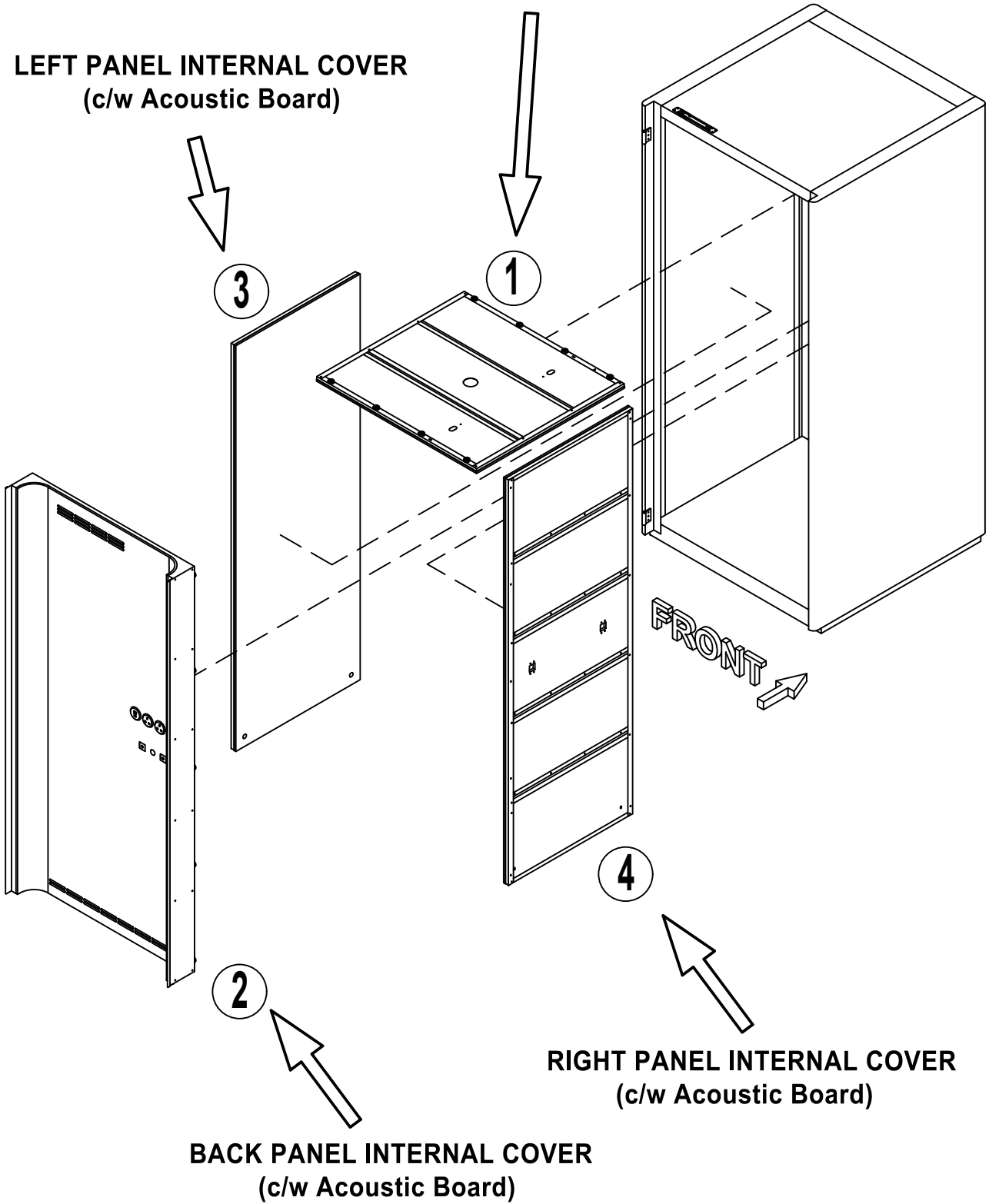
STEP 2 □ Tighten all screw to ensure steady structure

7

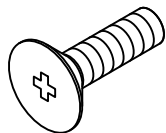
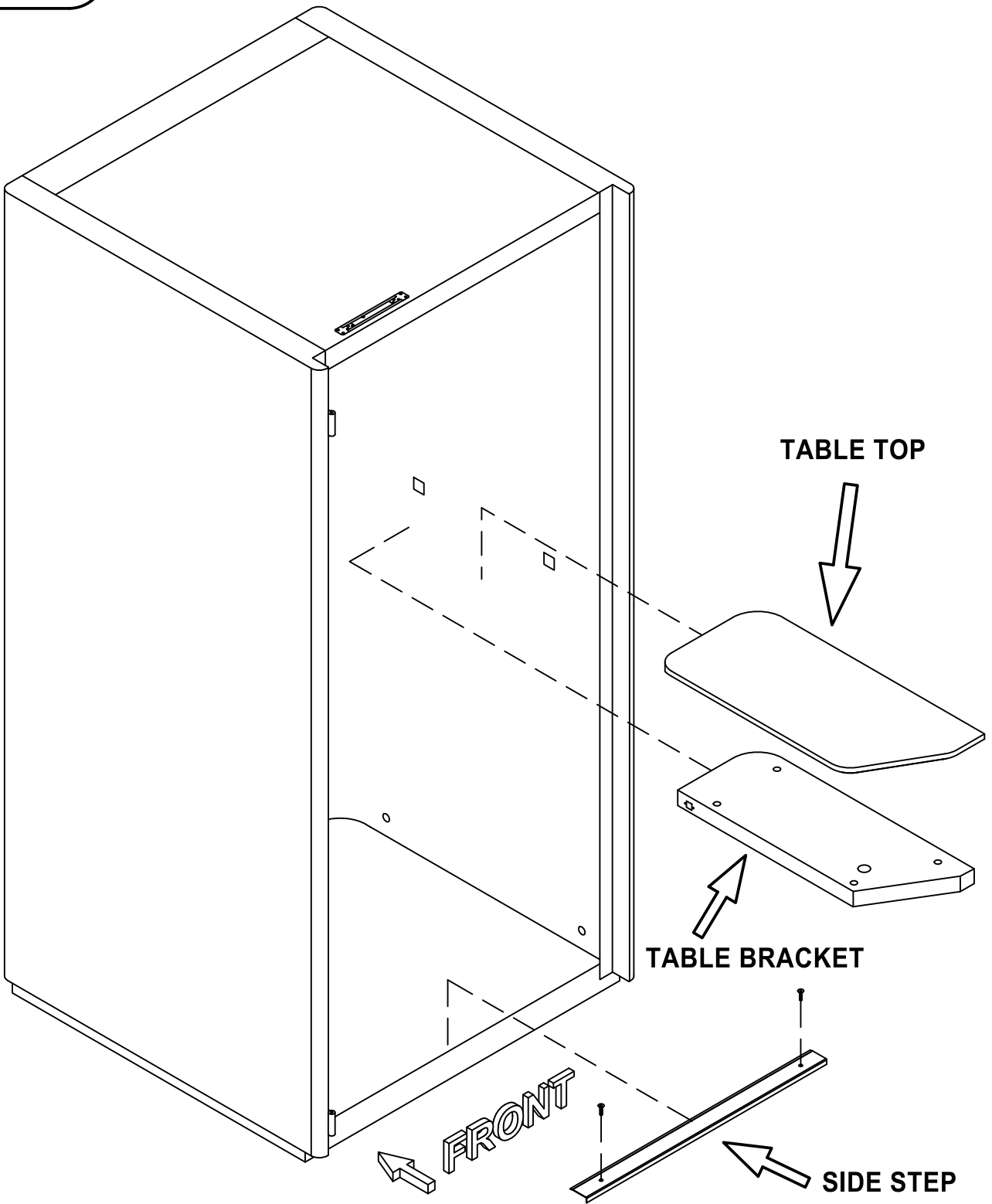


TOP PANEL INTERNAL COVER
(c/w Acoustic Board)

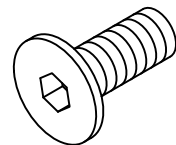
LEFT PANEL INTERNAL COVER
(c/w Acoustic Board)



9

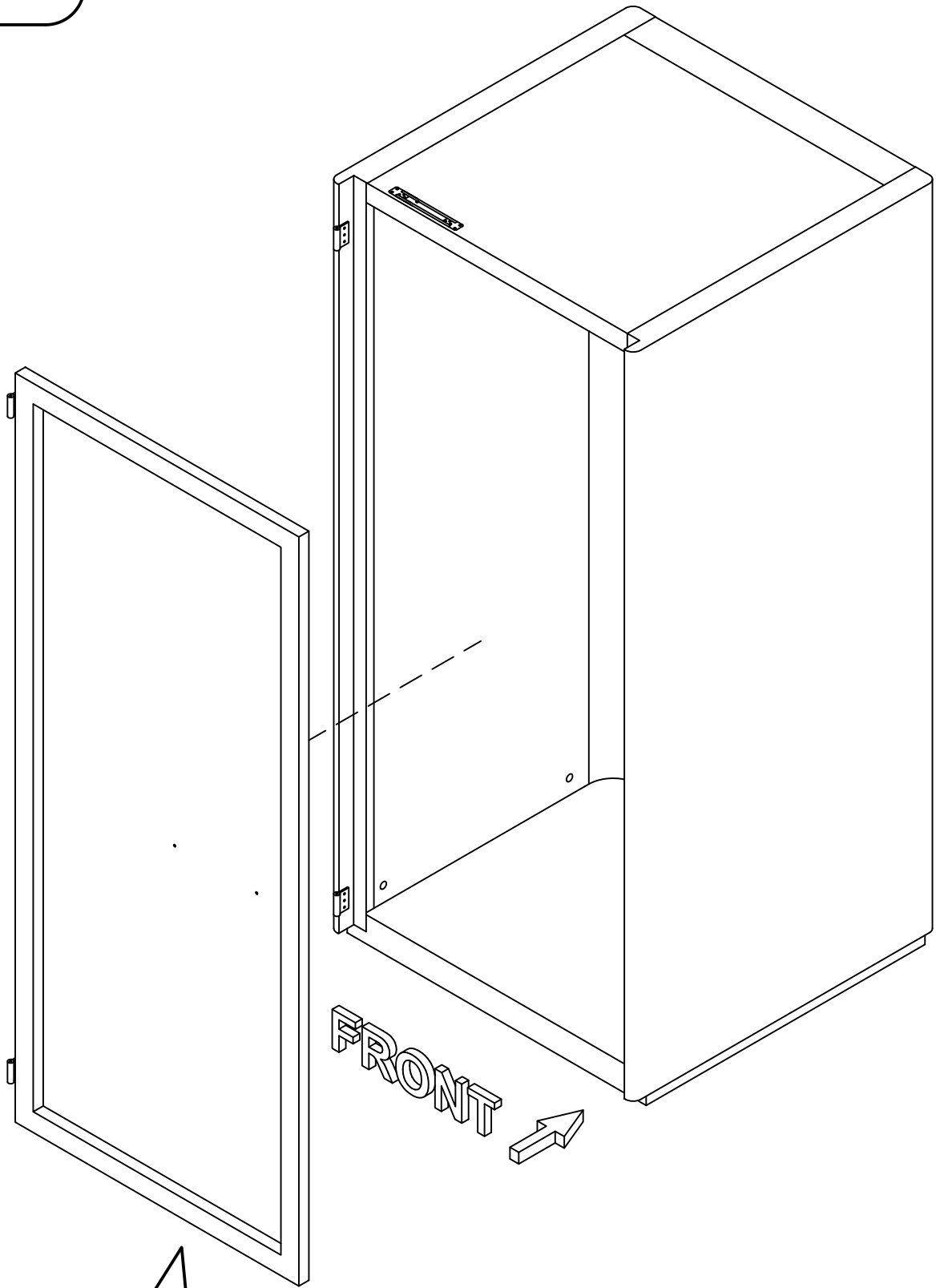


S/S A2 CSK HD MC SCREW
(m5 x 12)



JCBC SCREW
(m6 x 16 ZP)

10



GLASS SWING DOOR

FRONT

11

DETAIL : (E)

CONCEALED DOOR CLOSER

DETAIL : (D)

DOOR HANDLE

FRONT

DETAIL : (E)

DETAIL :D — Please refer to the provided door handle box.

